



VOLCANO₂₅₀
RY-250VL



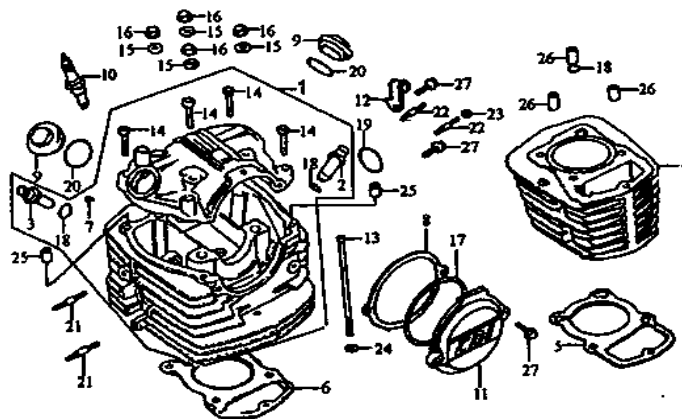
SPARES

ENGINE PARTS

INDEX

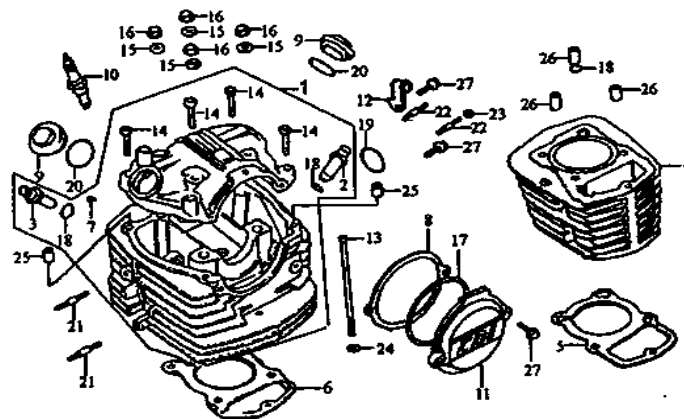
ASSY NO.	DESCRIPTION	PAGE NO.
A1	CYLINDER BLOCK/CYLINDER HEAD ASSY	1-2
A2	VALVE/CAM SHAFT ASSY	3-4
A3	TIMING CHAIN ASSY	5
A4	CRANKSHAFT ASSY	6-7
A5	CRANKCASE ASSY	8-9
A6	OIL PUMP/OIL FILTER ASSY	10-11
A7	CLUTCH ASSY	12
A8	RIGHT CRANKCASE COVER	13-14
A9	TRANSMISSION ASSY	15-17
A10	KICK ASSY	18
A11	GEAR SHAFT ASSY	19-20
A12	LEFT CRANKCASE COVER/MAGNETO ASSY	21-22
A13	STARTING MOTOR ASSY	23

A1 - CYLINDER BLOCK/CYLINDER HEAD ASSY



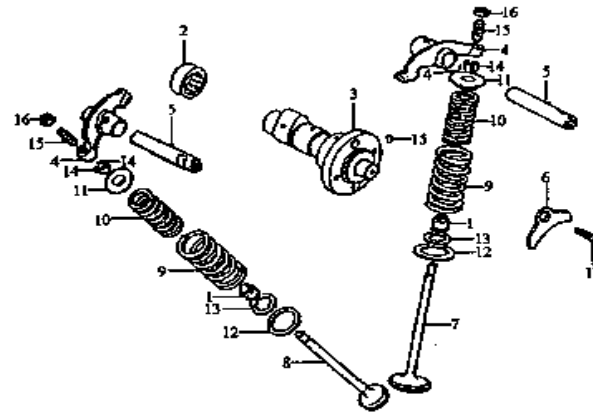
S.NO.	PART CODE	DESCRIPTION	QUANTITY
A1 - 1	301A000	CYLINDER HEAD COMP	1
A1 - 2	F00A001	INTAKE VALVE GUIDE	1
A1 - 3	F00A002	EXHAUST VALVE GUIDE	1
A1 - 4	H06A038	CYLINDER BLOCK	1
A1 - 5	301B010	GASKET, CYLINDER BLOCK	1
A1 - 6	H06B008	GASKET, CYLINDER HEAD	1
A1 - 7	F03C011	RUBBER PLUG	1
A1 - 8	F03B006	SEAL, LEFT COVER	1
A1 - 9	F03A032	VALVE COVER	2
A1 - 10	F00D021	SPARK PLUG D8TC	1
A1 - 11	F02A033	LEFT COVER	1
A1 - 12	F03L039	CLAMP	1
A1 - 13	F03M019	BOLT M6×110	1
A1 - 14	578306035	SCREW M6×35	4
A1 - 15	F00L002	WASHER Ø8×Φ18×2.5	4

A1 - CYLINDER BLOCK/CYLINDER HEAD ASSY



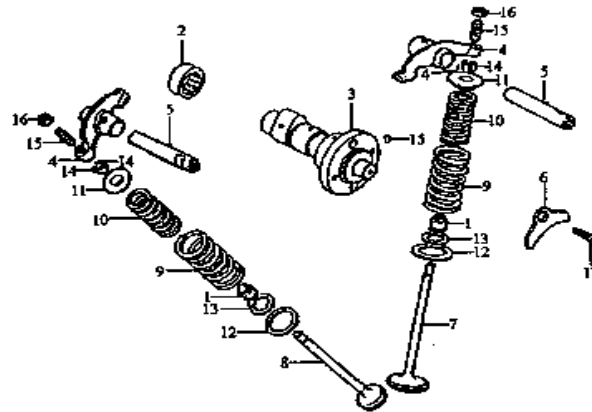
S.NO.	PART CODE	DESCRIPTION	QUANTITY
A1 - 16	923080000	CAP NUT M8	4
A1 - 17	F03C070	O-RING 75×2.5	1
A1 - 18	F00C010	O-RING 10×1.6	2
A1 - 19	F00C050	O-RING 33.5×3	1
A1 - 20	F00C057	O-RING 75×2.5	2
A1 - 21	F00M007	STUD M6×35	2
A1 - 22	F04M010	STUD M6×28	2
A1 - 23	6170060000	NUT M6	3
A1 - 24	D00L017	WASHER φ6	1
A1 - 25	97008014	PIN 8×14	2
A1 - 26	97010020	PIN 10×20	3
A1 - 27	96006020	BOLT M6×20	3

A2 - VALVE/CAM SHAFT ASSY



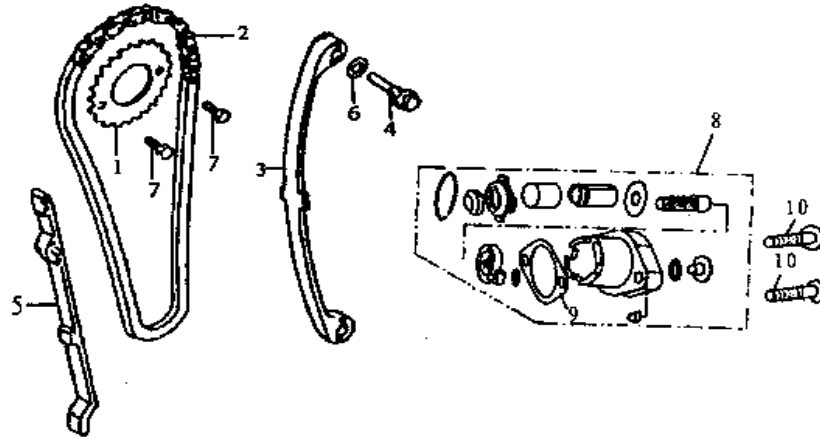
S.NO.	PART CODE	DESCRIPTION	QUANTITY
A2 - 1	F00C043	OIL SEAL 35×3	1
A2 - 2	F03F021	BEARING 6203	1
A2 - 3	301F020	CAMSHAFT	1
A2 - 4	F03F000	ROCKER ARM	1
A2 - 5	F03F015	SHAFT, ROCKER ARM	1
A2 - 6	F03L003	LOCATOR PLATE	1
A2 - 7	302F045	INLET VALVE	1
A2 - 8	302F039	EXHAUST VALVE	1
A2 - 9	F03H003	VALVE SPRING, OUTER	2
A2 - 10	F03H004	VALVE SPRING, INNER	2
A2 - 11	F03F034	RETAINER, VALVE SPRING	2
A2 - 12	F00F031	SEAT, VALVE SPRING OUTER	2
A2 - 13	F00F032	SEAT, VALVE SPRING INNER	2
A2 - 14	F00F033	CLAMP	2
A2 - 15	F00F001	ADJUSTING SCREW	2

A2 - VALVE/CAM SHAFT ASSY



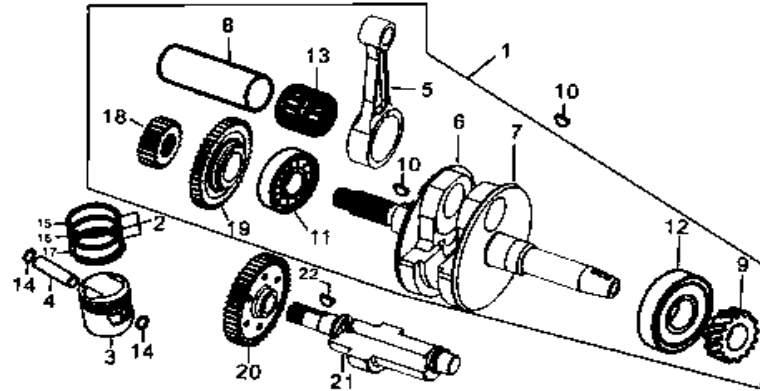
S.NO.	PART CODE	DESCRIPTION	QUANTITY
A2 - 16	F00F022	ADJUSTING NUT	2
A2 - 17	578306020	SCREW M6×20	2

A3 - TIMING CHAIN ASSY



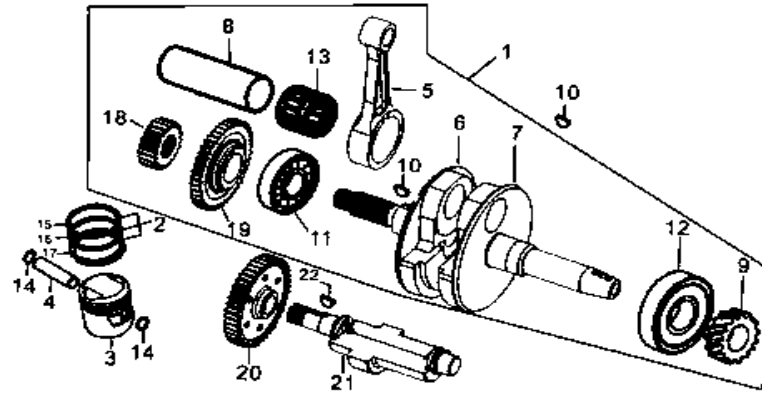
S.NO.	PART CODE	DESCRIPTION	QUANTITY
A3 - 1	301F011	TIMING DRIVEN SPROCKET	1
A3 - 2	H06F012	TIMING CHAIN	1
A3 - 3	F03C006	ADJUSTING PLAE	1
A3 - 4	F03L010	LOCATING PIN	1
A3 - 5	F03C007	GUIDE PLATE	1
A3 - 6	D00L020	WASHER	1
A3 - 7	578306010	BOLT M6×10	2
A3 - 8	F032F014	TENSIONER ASSY	1
A3 - 9	F03B004	GASKET, TENSIONER	1
A3 - 10	96006016	BOLT M6×16	2

A4 - CRANKSHAFT ASSY



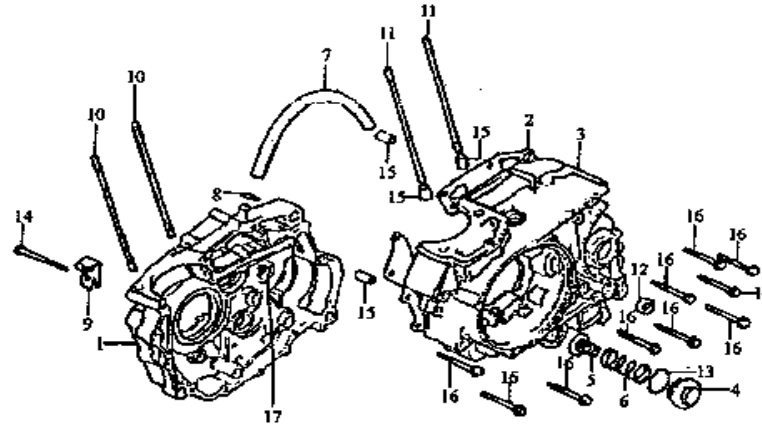
S.NO.	PART CODE	DESCRIPTION	QUANTITY
A4 - 1	H11J011	CRANKSHAFT ASSY	1
A4 - 2	H09J025	PISTON RING SET	1
A4 - 3	H091J025	PISTON	1
A4 - 4	F00J023	PISTON PIN	1
A4 - 5	H11J031	CONNECTING ROD	1
A4 - 6	H11J024	CRANKSHAFT,R	1
A4 - 7	H11J026	CRANKSHAFT,L	1
A4 - 8	H11J018	PIN,CRANK SHAFT	1
A4 - 9	F00J014	DRIVE GEAR,TIMING	1
A4 - 10	308J011	WOODRUFF KEY	1
A4 - 11	2766337	BEARING	1
A4 - 12	2766329RS	BEARING	1
A4 - 13	H11J008	ROLLER BEARING	1
A4 - 14	F00J012	CIRCLIP	2
A4 - 15	H09J009	PISTON RING NO.1	1

A4 - CRANKSHAFT ASSY



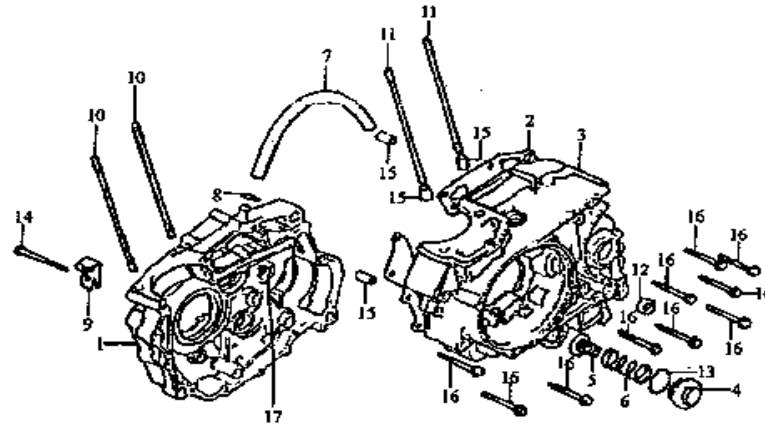
S.NO.	PART CODE	DESCRIPTION	QUANTITY
A4 - 16	H09J010	PISTON RING NO.2	1
A4 - 17	H09J025	PISTON RING COMBINATION	1
A4 - 18	308K025	DRIVING GEAR	1
A4 - 19	308J021	BALANCE SHAFT DRIVING GEAR	1
A4 - 20	308J022	BALANCE SHAFT DRIVEN GEAR	1
A4 - 21	H11J022	BALANCE SHAFT	1
A4 - 22	308J004	FLAT KEY	1

A5 - CRANKCASE ASSY



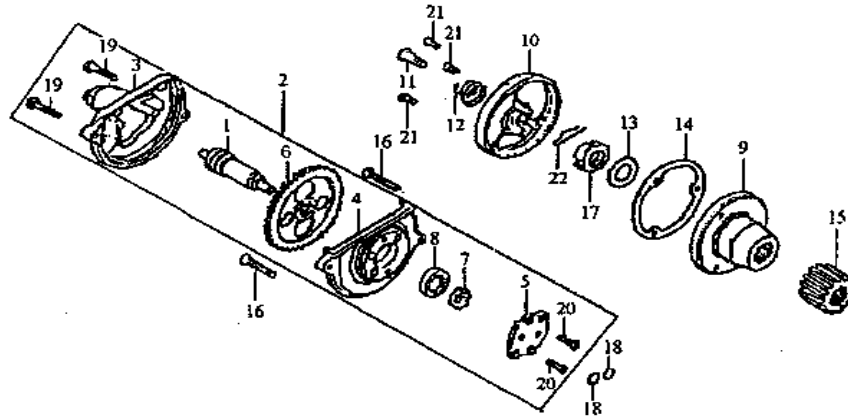
S.NO.	PART CODE	DESCRIPTION	QUANTITY
A5 - 1	H06A020	RIGHT CRANKCASE COMP	1
A5 - 2	F03B005	GASKET	1
A5 - 3	H06A010	LEFT CRANKCASE COMP	1
A5 - 4	F03A032	OIL FILTER COVER	1
A5 - 5	F00C037	STRAINER, OIL FILTER COMP.	1
A5 - 6	F00H008	SPRING	1
A5 - 7	F00C024	EXHAUST PIPE	1
A5 - 8	F00L013	CLAMP	1
A5 - 9	F03L031	STAY, CLUTCH CABLE	1
A5 - 10	H06M001	STUD(A) M8×240	2
A5 - 11	H06M002	STUD(B) M8×227	2
A5 - 12	F00C046	OIL SEAL 14×28×7	1
A5 - 13	F00C057	O-RING 75x2.5	2
A5 - 14	96006060	BOLT M6×60	1
A5 - 15	97010014	DOWEL PIN	4

A5 - CRANKCASE ASSY



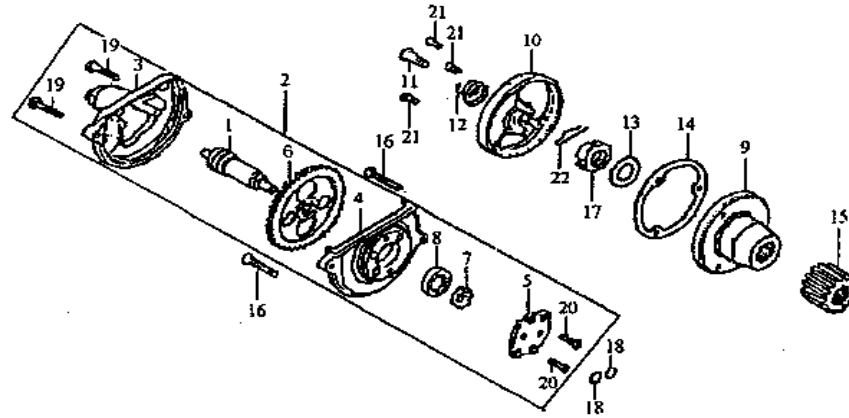
S.NO.	PART CODE	DESCRIPTION	QUANTITY
A5 - 16	96006050	BOLT M6×50	1
A5 - 17	2901512	BEARING HK152312	1
A5 - 18	F03L011	CLAMP	1
A5 - 19	96006012	BOLT M6×12	1

A6 - OIL PUMP/OIL FILTER ASSY



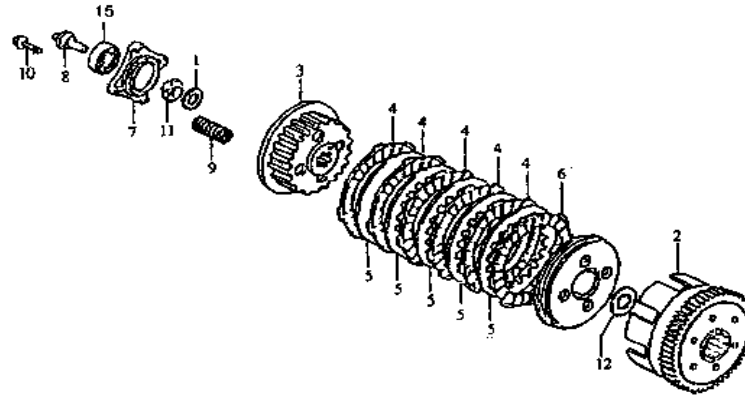
S.NO.	PART CODE	DESCRIPTION	QUANTITY
A6 - 1	H04E001	DRIVING SHAFT	1
A6 - 2	H04E000	OIL PUMP ASSY	1
A6 - 3	H04E002	COVER, OIL PUMP	1
A6 - 4	H04E003	BODY, OIL PUMP	1
A6 - 5	H04E004	INNER PLATE, OIL PUMP	1
A6 - 6	H04E005	DRIVEN GEAR	1
A6 - 7	H04E006	INNER ROTATOR	1
A6 - 8	H04E007	OUTER ROTATOR	1
A6 - 9	F00E012	BODY,OIL FILTER	1
A6 - 10	F00E011	COVER, OIL FILTER	1
A6 - 11	F00E024	OIL PIPE	1
A6 - 12	F00H001	SPRING	1
A6 - 13	F00G052	WASHER	1
A6 - 14	F00B015	GASKET	1
A6 - 15	F02K015	DRIVEN GEAR	1

A6 - OIL PUMP/OIL FILTER ASSY



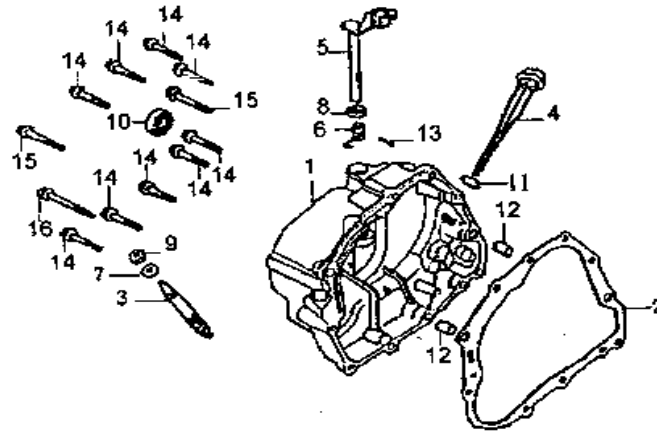
S.NO.	PART CODE	DESCRIPTION	QUANTITY
A6 - 16	8196030	SCREW M6×30	2
A6 - 17	A00G055	NUT	1
A6 - 18	F00C036	O-RING 9.4×2.4	2
A6 - 19	578305020	BOLT M5×20	2
A6 - 20	81904012	SCREW M4×12	2
A6 - 21	82005012	SCREW M5×12	4
A6 - 22	F00H010	LIMIT PIN	1

A7 - CLUTCH ASSY



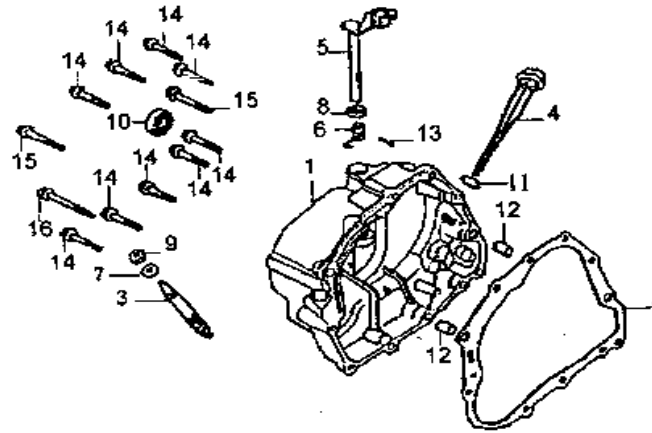
S.NO.	PART CODE	DESCRIPTION	QUANTITY
A7 - 1	F00G052	SPRING WASHER	1
A7 - 2	F03G004	OUTER COMP, CLUTCH	1
A7 - 3	F00G005	CENTER SLEEVE, CLUTCH	1
A7 - 4	F03G001	CLUTCH FRICTION PLATE	5
A7 - 5	F00G012	CLUTCH PLATE	5
A7 - 6	F00G041	PRESSURE PLATE	1
A7 - 7	F03G160	END COVER, CLUTCH	1
A7 - 8	F03G043	ROD, CLUTCH PUSH	1
A7 - 9	F03G002	SPRING	1
A7 - 10	578306020	BOLT M6×20	2
A7 - 11	F00G024	NUT	1
A7 - 12	F03L053	WASHER	1
A7 - 13	27616003	BEARING 16003	1

A8 - RIGHT CRANKCASE COVER



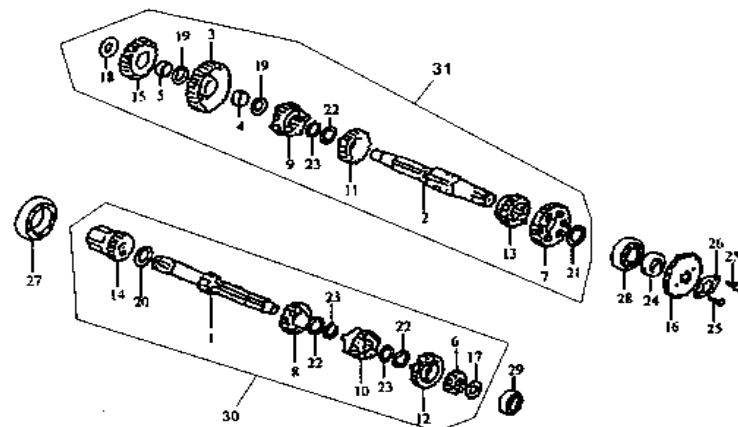
S.NO.	PART CODE	DESCRIPTION	QUANTITY
A8 - 1	F03A034RB	RIGHT CRANKCASE COVER	1
A8 - 2	F03B002	GASKET	1
A8 - 3	F03K011	OUTPUT SHAFT	1
A8 - 4	F03C038	DIPSTICK OIL GAUGE	1
A8 - 5	F03G010	CLUTCH ROD	1
A8 - 6	F03H007	RESET SPRING	1
A8 - 7	F00K012	WASHER	1
A8 - 8	F03C029	OIL SEAL 12×22×5	1
A8 - 9	F00C025	OIL SEAL 6.5×14.5×7	1
A8 - 10	F00C015	OIL SEAL 16×28×7	1
A8 - 11	D00C060	O-RING 18×3.5	1
A8 - 12	97008014	DOWEL PIN	2
A8 - 13	F02D048	COTTER PIN	1
A8 - 14	96006040	BOLT M6×40	10
A8 - 15	96006035	BOLT M6×35	1

A8 - RIGHT CRANKCASE COVER



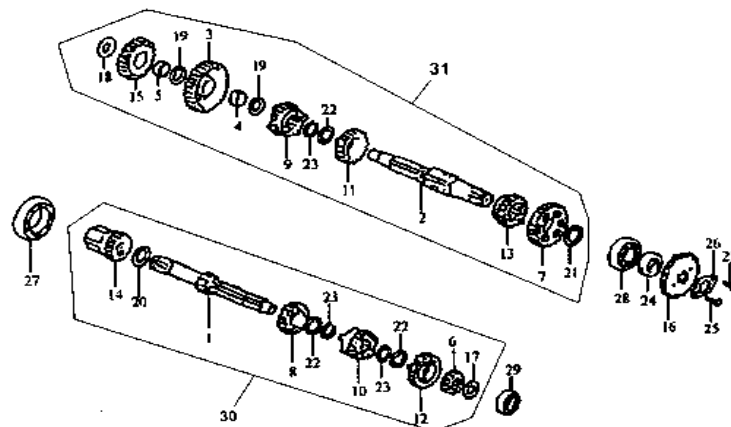
S.NO.	PART CODE	DESCRIPTION	QUANTITY
A8 - 16	96006050	BOLT M6×50	1
A8 - 17	96006025	BOLT M6×25	2

A9 - TRANSMISSION ASSY



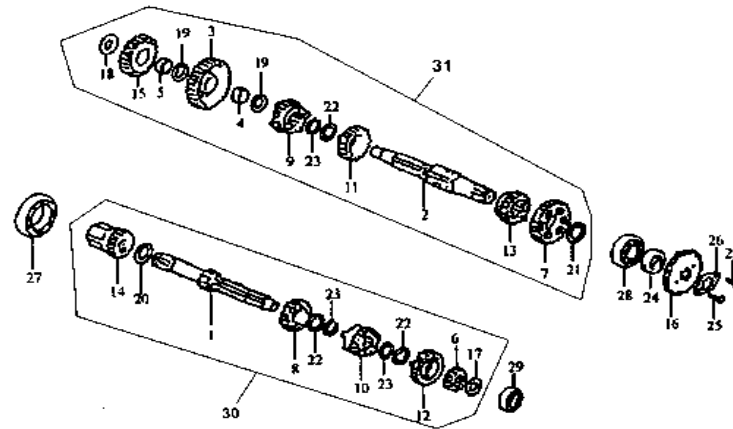
S.NO.	PART CODE	DESCRIPTION	QUANTITY
A9 - 1	F03K031	MAIN SHAFT	1
A9 - 2	H06K041	COUNTER SHAFT	1
A9 - 3	F03K042	FIRST GEAR,COUNTERSHAFT	1
A9 - 4	F00K043	BUSH	1
A9 - 5	F00K044	BUSH	1
A9 - 6	F03K032	SECOND GEAR, MAIN SHAFT	1
A9 - 7	F03K045	SECOND GEAR, COUNTER SHAFT	1
A9 - 8	F03K033	THIRD GEAR, MAIN SHAFT	1
A9 - 9	F03K046	THIRD GEAR, COUNTER SHAFT	1
A9 - 10	F03K034	FOURTH GEAR MAIN SHAFT	1
A9 - 11	F03K047	FOURTH GEAR, COUNTER SHAFT	1
A9 - 12	F03K035	FIFTH GEAR, MAIN SHAFT	1
A9 - 13	F03K048	FIFTH GEAR, COUNTER SHAFT	1
A9 - 14	F03K036	STARTING GEAR, MAIN SHAFT	1
A9 - 15	F03K049	STARTING GEAR, COUNTER SHAFT	1

A9 - TRANSMISSION ASSY



S.NO.	PART CODE	DESCRIPTION	QUANTITY
A9 - 16	F002K014	OUTPUT SPROCKET	1
A9 - 17	F00K037	WASHER	1
A9 - 18	F00K038	WASHER	1
A9 - 19	F00K039	WASHER	1
A9 - 20	F00K050	WASHER	1
A9 - 21	F00K051	WASHER	1
A9 - 22	F00K052	SPLINE WASHER	3
A9 - 23	F00K053	CIRCLIP	3
A9 - 24	F00C042	OIL SEAL 20×34×7	1
A9 - 25	578306010	BOLT M6×10	2
A9 - 26	F00K013	LOCATING PLATE, SPROCKET	1
A9 - 27	2766006	BEARING 6006	1
A9 - 28	2766202RS	BEARING 6202RS	1
A9 - 29	2766204RS	BEARING 6204RS	1
A9 - 30	F03K030	MAIN SHAFT ASSY	1

A9 - TRANSMISSION ASSY

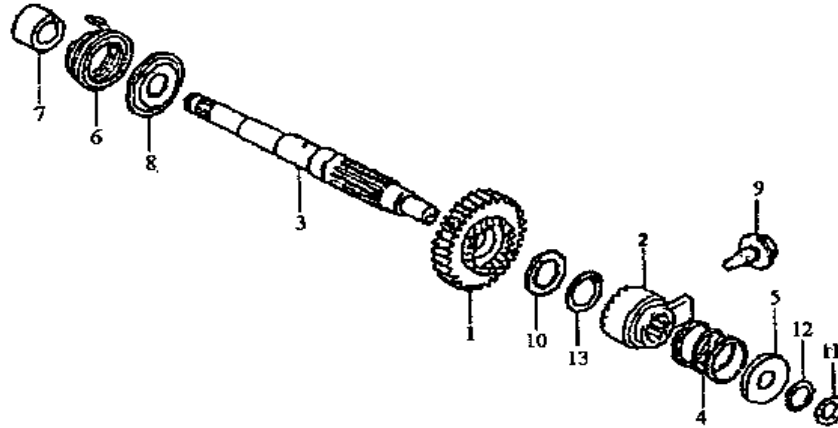


S.NO. **PART CODE**
 A9 - 31 F032K040

DESCRIPTION
 COUNTER SHAFT ASSY

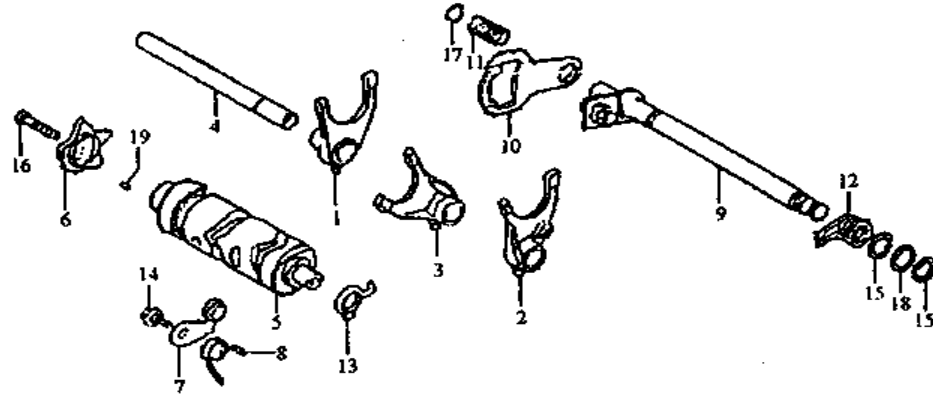
QUANTITY
 1

A10 - KICK ASSY



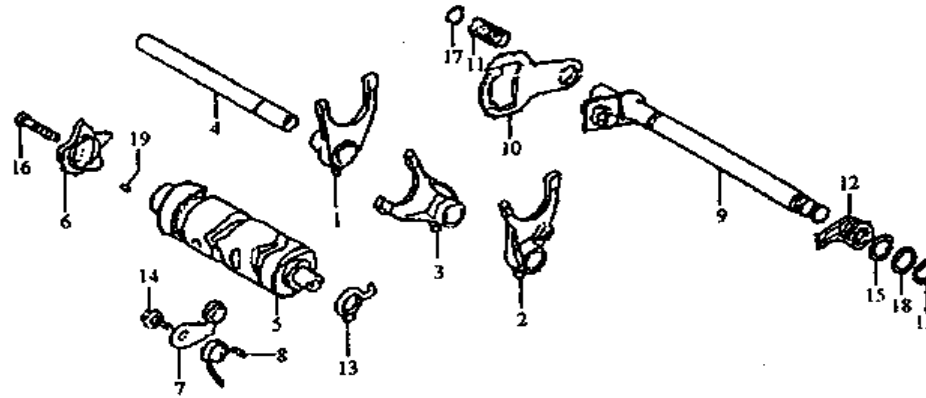
S.NO.	PART CODE	DESCRIPTION	QUANTITY
A10 - 1	F03I009	STARTING GEAR	1
A10 - 2	F03I006	RATCHET GEAR	1
A10 - 3	F03I010	STARTING SHAFT	1
A10 - 4	F03I005	RATCHET SPRING	1
A10 - 5	F03I003	RATCHET GUIDE	1
A10 - 6	F03I012	RESET SPRING	1
A10 - 7	F03I013	SPRING SLEEVE	1
A10 - 8	F03I011	SPRING SEAT	1
A10 - 9	F03M014	LOCATING BOLT	1
A10 - 10	F03I008	WASHER	1
A10 - 11	F00I001	WASHER	1
A10 - 12	F00I002	CIRCLIP 16MM	1
A10 - 13	F00I007	CIRCLIP	1

A11 - GEAR SHAFT ASSY



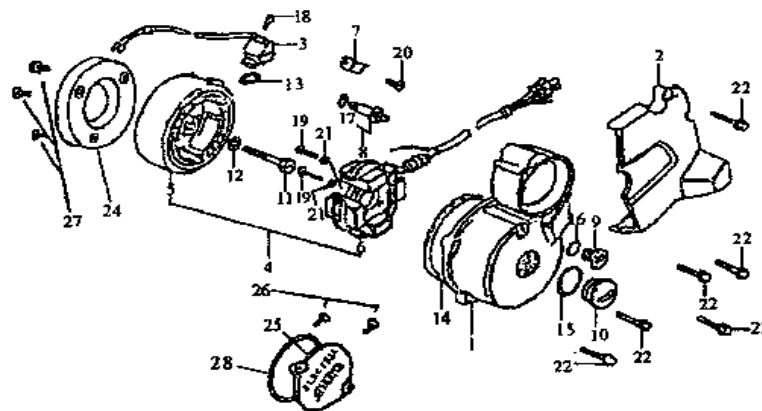
S.NO.	PART CODE	DESCRIPTION	QUANTITY
A11 - 1	F00K061	FORK,GEAR SHIFT, R	1
A11 - 2	F00K065	FORK, GEAR SHIFT, L	1
A11 - 3	F00K064	FORK, CENTER GEAR SHIFT	1
A11 - 4	F00K073	SHAFT, GEAR SHIFT FORK	1
A11 - 5	F03K066	DRUM, GEAR SHIFT	1
A11 - 6	F03K023	CAM, GEAR SHIFT	1
A11 - 7	F03K070	DRUM STOPPER	1
A11 - 8	F03H009	RESET SPRING	1
A11 - 9	F00K001	SHAFT COMP	1
A11 - 10	F00K002	GEAR SHIFT PLATE	1
A11 - 11	F00K003	SPRING, GEAR SHIFT PLATE	1
A11 - 12	F00K004	RESET SPRING	1
A11 - 13	F00K067	CONTACT SWITCH	1
A11 - 14	578306020	BOLT M6×20	2
A11 - 15	F00K005	WASHER	1

A11 - GEAR SHAFT ASSY



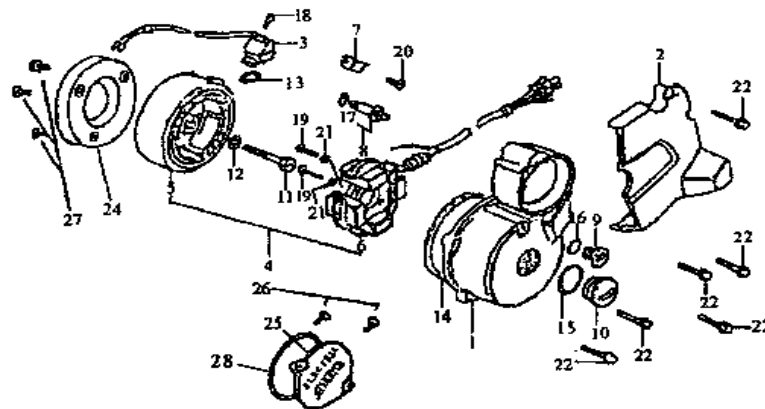
S.NO.	PART CODE	DESCRIPTION	QUANTITY
A11 - 16	578306025	BOLT M6×35	1
A11 - 17	F00K006	CIRCLIP 12 MM	1
A11 - 18	F00K007	CIRCLIP 14 MM	1
A11 - 19	F00K008	PIN	1

A12 - LEFT CRANKCASE COVER/MAGNETO ASSY



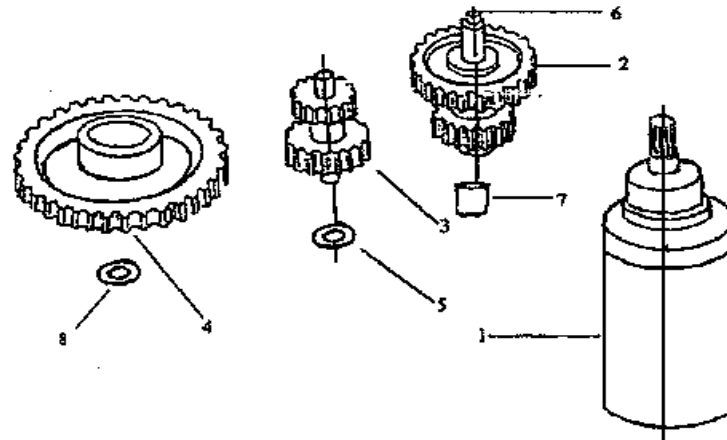
S.NO.	PART CODE	DESCRIPTION	QUANTITY
A12 - 1	F03A040	LEFT CRANKCASE COVER	1
A12 - 2	L00WG40	CHAIN GUARD, LEFT CRANK CASE	1
A12 - 3	F03D051	TRANSDUCER	1
A12 - 4	H06D050	MAGNETO COMP	1
A12 - 5	H06D060	ROTOR,MAGNETO	1
A12 - 6	H06D070	STATOR,MAGNETO	1
A12 - 7	F03L011	WIRE CLAMP	1
A12 - 8	A00D010	SWITCH	1
A12 - 9	D00A042	PLUG, WATCH HOLE	1
A12 - 10	D00A043	COVER	1
A12 - 11	F03M018	BOLT	1
A12 - 12	F03L042	WASHER	1
A12 - 13	F01D012	O-RING 14.5×2.5	1
A12 - 14	F03B001	SEAL	1
A12 - 15	D00C051	O-RING 27.4×2.4	1

A12 - LEFT CRANKCASE COVER/MAGNETO ASSY



S.NO.	PART CODE	DESCRIPTION	QUANTITY
A12 - 16	D00C052	O-RING 13.8×2.5	1
A12 - 17	F01D012	O-RING	1
A12 - 18	578305016	SCREW M5×16	1
A12 - 19	578305030	SCREW M5×30	1
A12 - 20	578305012	SCREW M5×12	1
A12 - 21	F04L041	WASHER φ5	2
A12 - 22	96006025	BOLT M6×25	2
A12 - 24	302G070	START CLUTCH BODY	1
A12 - 25	F03A045	UPPER COVER	1
A12 - 26	96006020	BOLT M6×20	2
A12 - 27	7008016	BOLT M8×16	1
A12 - 28	F001C056	O-RING 63×3	1

A13 - STARTING MOTOR ASSY




S.NO.	PART CODE	DESCRIPTION	QUANTITY
A13 - 1	H06D000	STARTING MOTOR ASSY	1
A13 - 2	H06K019	DOUBLE GEARS ASSY 1	1
A13 - 3	H06K018	DOUBLE GEARS ASSY 2	1
A13 - 4	F03K021	STARTING GEAR	1
A13 - 5	F03K023	WASHER	1
A13 - 6	H06K020	SHAFT	1
A13 - 7	2901010	ROLLER BEARING HK101410	1
A13 - 8	F03L029	WASHER	1



Raybar

www.raybarmotorcycles.com

 /raybarmoto